



High-frequency Transformer

PQ3220H Series

Parameters/Dimensions:

PQ3220H Type 1

Information:

Shape: PQ3220H

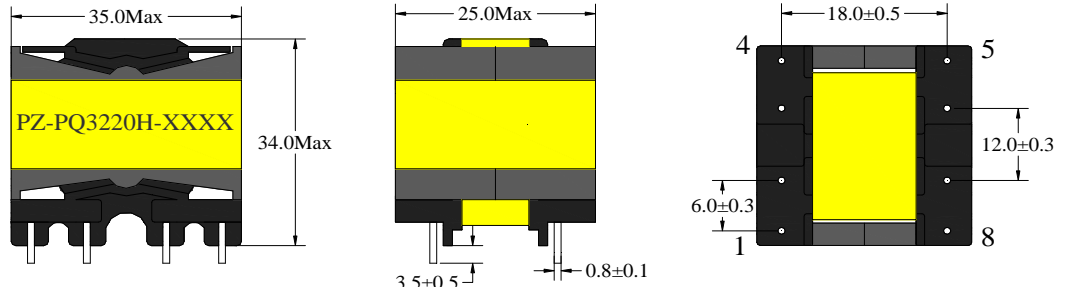
1 About Power: 165W

2 Mounting

Orientation:Horizontal

3 Size: 35(W) *25 (L) * 34 (H)

4 Effective Ae (mm²): 161.0



Parameters/Dimensions:

PQ3220H Type 2

Information:

Shape: PQ3220H

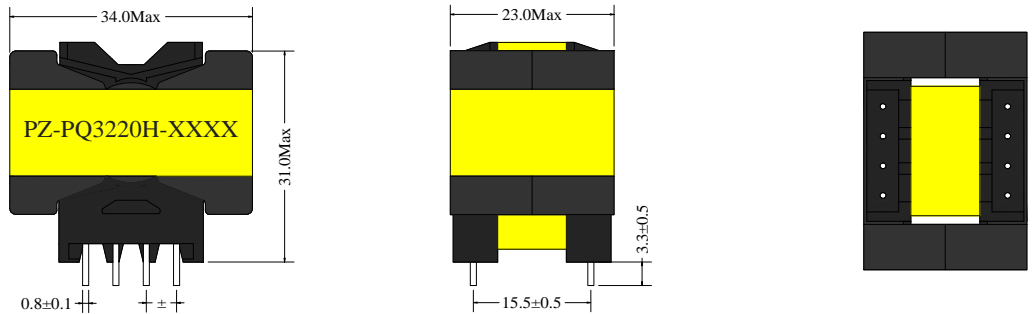
1 About Power: 165W

2 Mounting

Orientation:Horizontal

3 Size: 34(W) *23 (L) * 31 (H)

4 Effective Ae (mm²): 161.0



Note:

Bobbin type listed in the traditional style, transformer design parameters to customer needs or to inject prevail.

PQ series high-frequency transformer features:

Low loss, low temperature, anti-jamming performance, reasonable shape, large power range (40W-600W), can effectively reduce installation size, with multiple pins to facilitate wound wiring. Low assembly cost, easy to meet safety requirements, but standardization than the southern.

Uses:

Main power transformers, drive transformers, smoothing chokes, auxiliary power transformer. Mainly used in networking, communications, power, electrical equipment, medical and other fields.